

Automation Tips

For Tecan Genensis Freedom/Freedom Evo Workstations

I. APPLICATIONS

Widely used in the needs of high-throughput: Pipetting in genomics, proteomics, cytomics, immunoassays, metabolomics, and biopharmaceuticals.

II. FEATURES

1. Compatible with Tecan Genensis Freedom/Freedom Evo workstations.
2. Made of medical grade polypropylene, clear tips.
3. Made in Bioclean room.
4. DNase & RNase Free, Non-Pyrogen.
5. Electron beam sterilization: SAL 10-6, safe and fast, without chemical residue.

III. FILTER TIPS DESIGN

1. 20µl, 50µl, 200µl, and 1000µl tips are suitable with multiple channels; 50µl and 100µl tips are suitable with MCA 96 channels.
2. Racked packaging.
3. Filters eliminate errors caused by saturation vapor pressure.

IV. DESCRIPTION-Hot Products

Cat. No.	Description
AT23-0020S	20µl clear filter tips, 35.35mm, rack pack, sterile. 96 Pieces/Rack, 24 Racks/Case
AT23-0020CS	20µl conductive back filter tips, 35.35mm, rack pack, sterile. 96 Pieces/Rack, 24 Racks/Case
AT23-0050S	50µl clear filter tips, 58mm, rack pack, sterile. 96 Pieces/Rack, 24 Racks/Case
AT23-0050CS	50µl conductive back filter tips, 58mm, rack pack, sterile. 96 Pieces/Rack, 24 Racks/Case
AT23-0200S	200µl clear filter tips, 58.5mm, rack pack, sterile. 96 Pieces/Rack, 24 Racks/Case
AT23-0200CS	200µl conductive back filter tips, 58.5mm, rack pack, sterile. 96 Pieces/Rack, 24 Racks/Case
AT23-1000S	1000µl clear filter tips, 95.5mm, rack pack, sterile. 96 Pieces/Rack, 16 Racks/Case
AT23-1000CS	1000µl conductive back filter tips, 95.5mm, rack pack, sterile. 96 Pieces/Rack, 16 Racks/Case

All available: Sterile/non-sterile, low-retention/non low-retention.

V. STERILITY

1. Optional

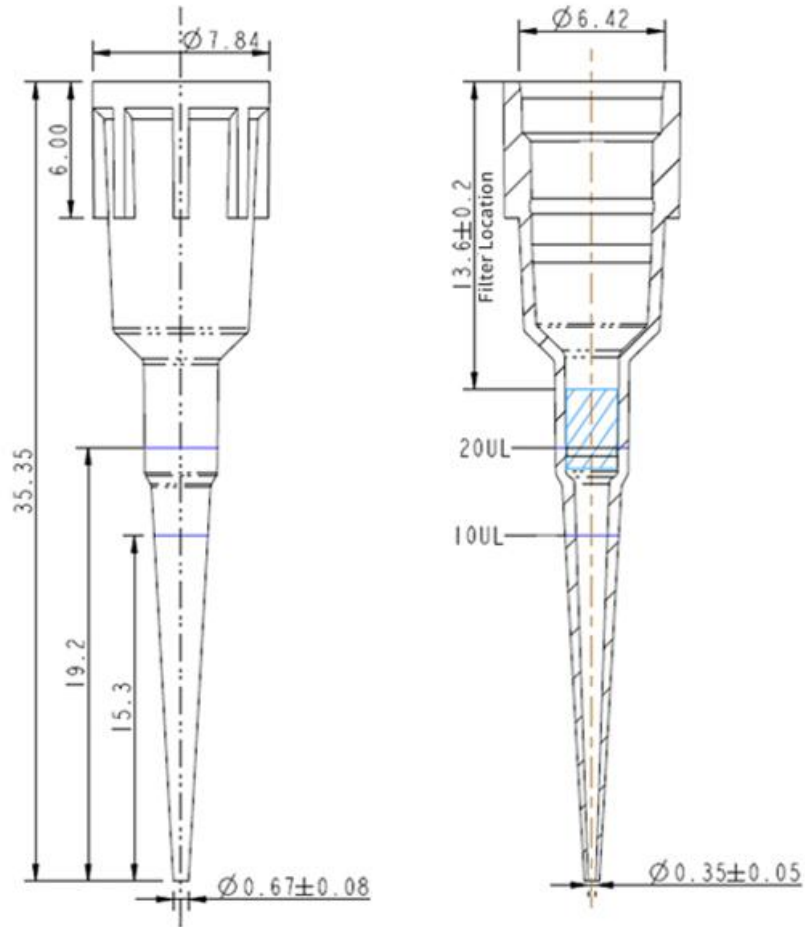
VI. CERTIFICATION

Biologix products are manufactured completely according to the TUV ISO 9001:2008 standard.

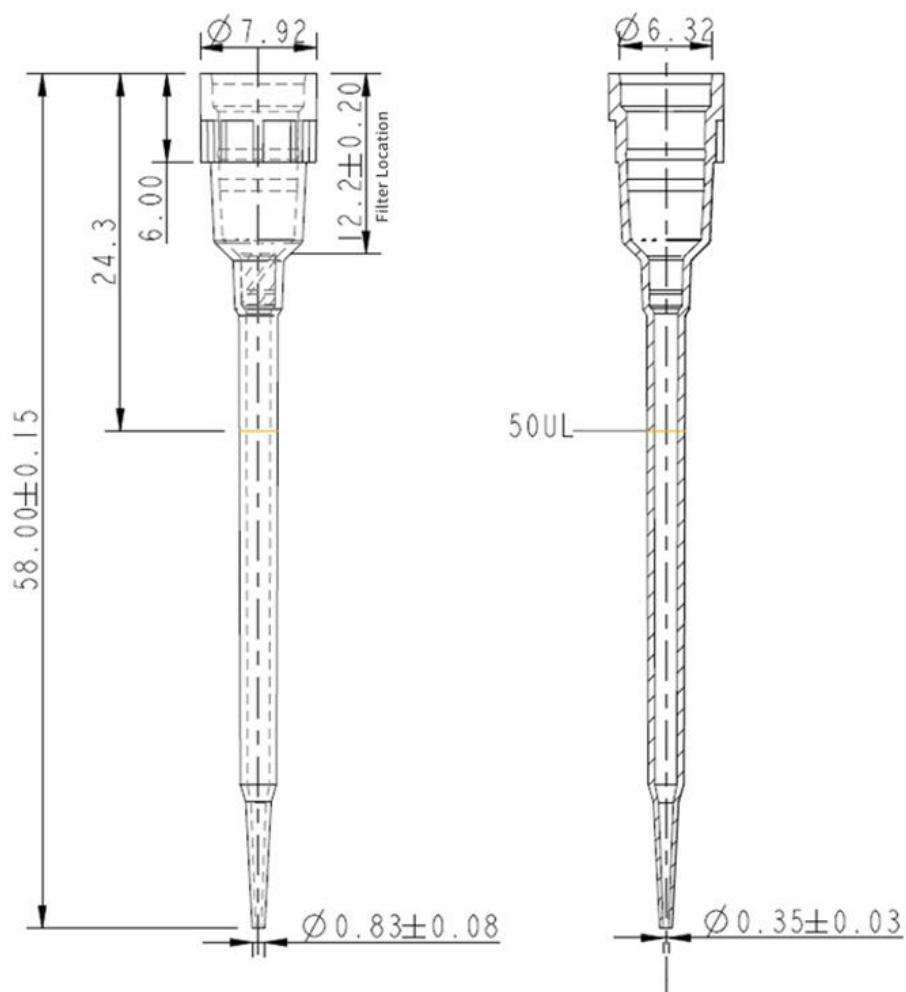
VII. RESTRICTIONS

Refer to the Chemical Resistance Chart in our catalog, and available within our online catalog

VIII. PRODUCT PARAMETER Dimensions=mm

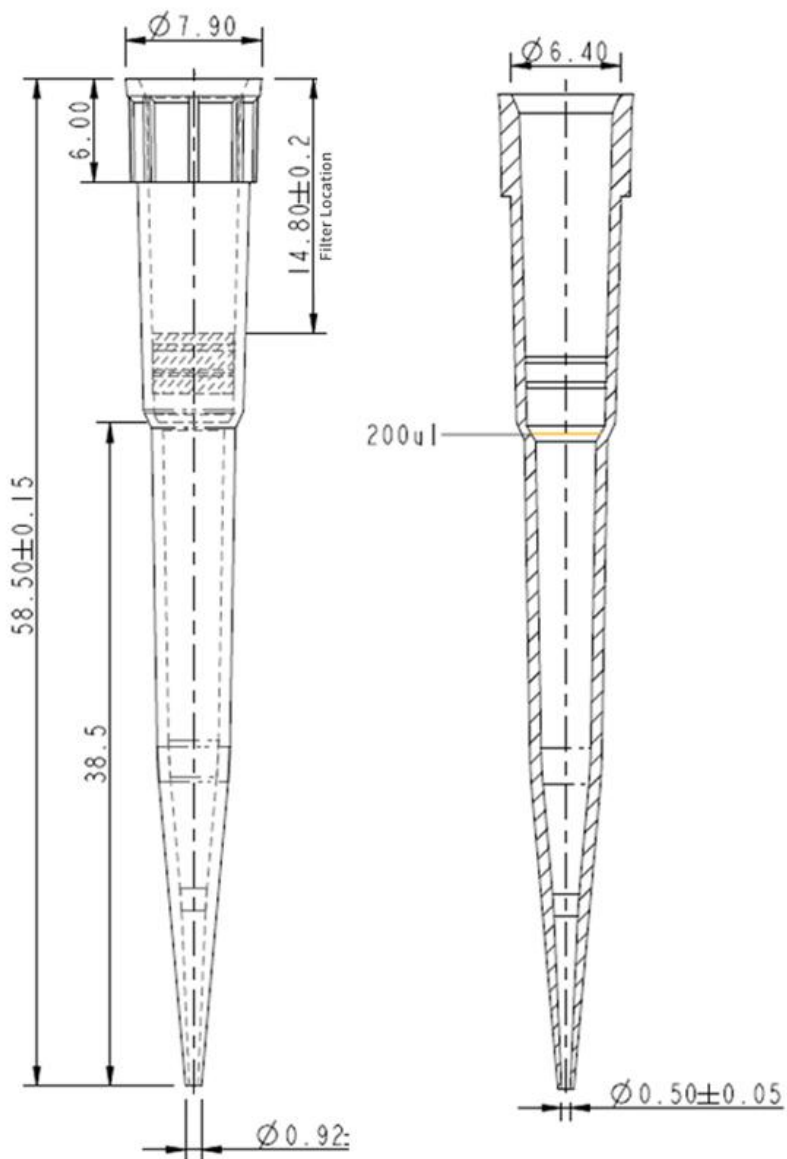


20ul-Without Filter 20ul-With Filter



50ul-With Filter

50ul-Without Filter



200ul-With Filter 200ul-Without Filter

